

Professional Web-Based Training Services

CoCreate Modeling - Annotation

All New Materials for v14.0 to v15.5

Continue your education of **CoCreate Modeling** with this web-based **Annotation** class. This class is designed to give students much more knowledge in creating detailed drawings. Students will learn more about configuring the **Annotation** environment specific to requirements and standards. More detail will be provided regarding the creation of drawings, sheets, views and maintaining associativity with the 3D model.

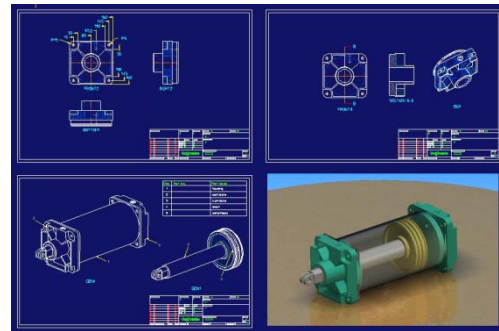
Course Content

Session 1 (3 hours)

- Annotation Overview
- Creating a Drawing
- Sheets & Views
- Associativity
- File Management

Session 2 (3 hours)

- Auxiliary Geometry
- Dimensions
- Text & Symbols
- Updating Annotation
- Bills of Materials
- Printing



General Information

Course Number:	V220
Participants:	Max 10
Documentation:	Inclusive
Course Duration:	6 hrs in 2 sessions

Audience & Prerequisites:

This class is designed for **CoCreate Modeling** users that have a few months experience with the tool or have attended the **Modeling QuickStart** class.

Next Steps:

If you have not attended the **Parts & Assemblies** class or the **Modify 3D** class, consider one of these as a next step. With the completion of the **Parts & Assemblies** class, the **Modify 3D** class and the **Annotation** class, you will be well prepared to tackle most any design task. If you have attended these classes, there are many advanced classes available depending on your particular responsibilities and needs.

Registration Information

Interested in a custom virtual class? Send request to:

Training@phusionengineering.com

Or, call us at (970) 461-0070

For our standard training schedule, visit:

[Phusion Training Schedule](#)

Phusion Engineering Solutions LLC

Office: (970) 461-0070

Fax: (970) 461-0074

Web: www.PhusionEngineering.com
training@phusionengineering.com