

## Professional On-Site Training Services

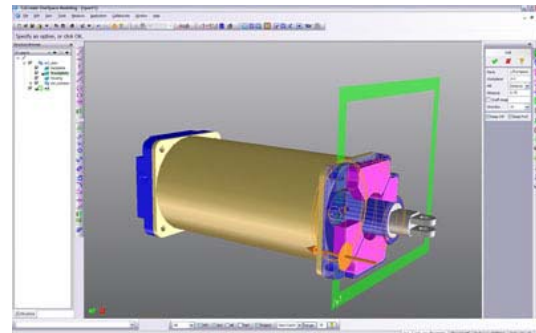
### CoCreate Modeling for New Users

**CoCreate Modeling** offers a powerful, unique approach for quickly creating and modifying 3D models. This course delivers the foundation needed to jumpstart your productivity using **CoCreate Modeling**. Start with lessons on moving from 2D to a dynamic 3D design environment. Learn how to create and modify 3D models and assemblies that can be used as the master control document for design revisions. You will manage and view **CoCreate Modeling** components quickly and effectively as well as attach documentation and annotation directly to 3D models.

#### Content

##### 3D modeling with **CoCreate Modeling**

- Workplanes
- Creating 2D Profiles
- Machining Parts
- File Handling
- Features
- Modifying Parts
- Parts and Assemblies
- Viewing Parts
- Creating a Customized User Interface
- Additional Designer Functionality



#### General Information

Course Number:	T200
Participants:	Max 12
Documentation:	Inclusive
Course Duration:	3 days

#### Participants & Prerequisites:

This class is ideal for designers, mechanical engineers, illustrators, or industrial designers who need to quickly get up and running with **CoCreate Modeling**.

To get the most from this class, you must be able to interpret mechanical engineering drawings, and have an understanding of drafting concepts. Experience in the development of 2D design using **ME10, CoCreate Drafting**, or another 2D CAD system is required.

#### Registration Information

Interested in an on-site **CoCreate Modeling** class? Send request to:

[Training@phusionengineering.com](mailto:Training@phusionengineering.com)

Or, call us at (970) 461-0070

On-Site classes can be tailored to your specific requirements and environment.